

## Bi - PIN

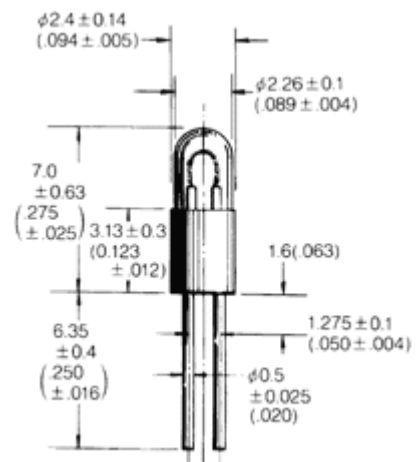
### T-3/4 Bi-Pin

Line Nos.	Oshino Lamp Numbers	Design Volts	Design Amps	AVG. MSCd	Filament shape	Life (hours)
23	OL-2405BP	5.0	.02	.02	CC-6	20,000
24	OL-2401BP	5.0	.021	.034	CC-6	10,000
25	OL-2427BP	5.0	.03	.03	C-2R	16,000
26	OL-2416BP	5.0	.04	.025	C-2R	50,000
27	OL-8587BP	5.0	.06	.03	C-2R	200,000
28	OL-8913BP	5.0	.06	.05	C-2R	100,000
29	OL-2437BP	5.0	.06	.15	C-2R	5,000
30	OL-8828BP	5.0	.075	.09	C-2R	40,000
31	OL-8270BP	5.0	.115	.15	C-2R	40,000

Lamp Design Characteristics

Maximum length  
4.7mm (.185")

Unit in mm  
(inch)



Copyright © 2006 OSHINO LAMPS LIMITED All Rights Reserved.

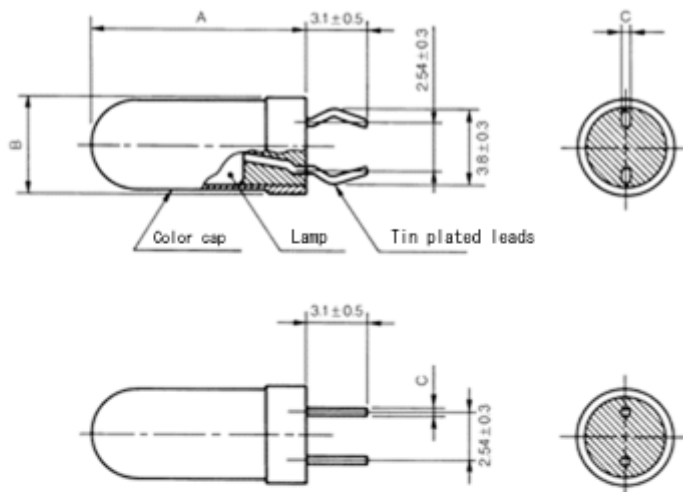
## Bi - PIN

### T-1 Cap Bi-Pin

P/N	Voltage	Current	Brightness		Filament
	(V)	(A)	(MSCP)	(Lm)	Shape
OL-683CBP	5.0	0.06	0.05	0.6	C-2R
OL-3070CBP	5.0	0.06	0.15	1.9	C-2R
OL-713CBP	5.0	0.075	0.09	1.1	C-2R
OL-715CBP	5.0	0.115	0.15	1.9	C-2R
OL-3041CBP	6.0	0.06	0.13	1.6	C-2R
OL-1088CBP	10.0	0.027	0.09	1.1	C-2F
OL-3023CBP	12.0	0.03	0.10	1.3	C-2F
OL-1089CBP	12.0	0.06	0.15	1.9	C-2F
OL-3228CBP	14.0	0.04	0.15	1.9	C-2F
OL-1111CBP	14.0	0.065	0.15	1.9	C-2F
OL-1092CBP	18.0	0.026	0.15	1.9	C-2F
OL-3316CBP	18.0	0.035	0.15	1.9	C-2F

Unit in mm  
(inch)

#### 1. Dimension • Appearance



#### 2. P/N

SIZE	A	B	C
T-1	8.5MAX	4.7MAX	φ0.3
T-11/4	10.7MAX	5.1MAX	φ0.4

Lead forming dimension listed above is our standard style.  
Custom-made specification is available upon request.



## Bi - PIN

### T-1 Bi-Pin(Type-E)

Pin Spacing 2.54mm ( .100")

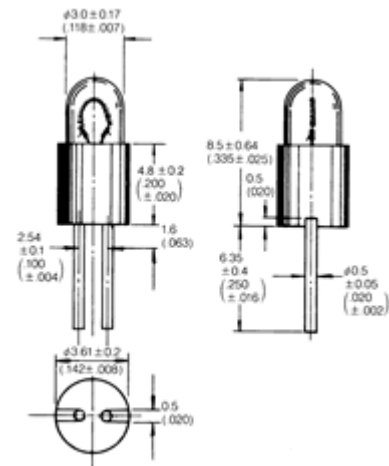
Line Nos.	Oshino Lamp Numbers	Design Volts	Design Amps	AVG. MSCd	Filament shape	Life (hours)
1	OL-3414BPE	2.25	.30	.45	C-2R	20
2	OL-3018BPE	3.0	.008	.001	C-6	16,000
3	OL-679BPE	3.0	.012	.0005	C-6	25,000
4	OL-3038BPE	3.0	.04	.03	C-2R	10,000
5	OL-3008BPE	3.0	.06	.03	C-2R	50,000
6	OL-3012BPE	3.0	.12	.15	C-2R	3,000
7	OL-3002BPE	5.0	.015	.002	C-2V	25,000
8	OL-3044BPE	5.0	.02	.02	CC-6	20,000
9	OL-3020BPE	5.0	.021	.034	C-2R	10,000
10	OL-3057BPE	5.0	.03	.03	C-2R	16,000
11	OL-307BPE	5.0	.04	.025	C-2R	50,000
12	OL-682BPE	5.0	.06	.03	C-2R	100,000
13	OL-682BPE-AS15	5.0	.06	.03	C-2R	100,000
14	OL-685BPE	5.0	.06	.05	C-2R	100,000
15	OL-685BPE-AS15	5.0	.06	.05	C-2R	100,000
16	OL-3071BPE	5.0	.06	.15	C-2R	5,000
17	OL-714BPE	5.0	.075	.09	C-2R	40,000
18	OL-714BPE-AS15	5.0	.075	.09	C-2R	40,000
19	OL-718BPE	5.0	.115	.15	C-2R	40,000
20	OL-718BPE-AS15	5.0	.115	.15	C-2R	40,000
21	OL-718F1-BPE	5.0	.125	.22	C-2R	5,000
22	OL-3094BPE	6.0	.04	.04	C-2R	10,000
23	OL-3042BPE	6.0	.06	.13	C-2R	3,000
24	OL-1098BPE	10.0	.027	.09	C-2F	10,000
25	OL-3024BPE	12.0	.03	.10	C-2F	10,000
26	OL-1099BPE	12.0	.06	.15	C-2F	16,000
27	OL-3229BPE	14.0	.04	.15	C-2F	16,000

Lamp Design Characteristics

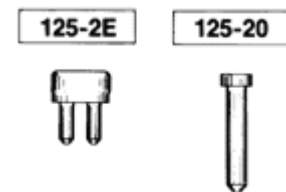
Maximum Diameter

3.81mm ( .150")

Unit in mm (inch)



SOCKETS APPLICABLE



OSHOINO



**OSHINO LAMPS FRANCE**  
 Téléport 4 - ZT Pyrène Aéro Pôle - 65290 JUILLAN  
 Tél: +33 (0)5 62 32 63 63 / Fax: +33 (0)5 62 32 63 65  
 Email: info@oshino-lamps.fr / Site: www.oshino-lamps.com



FRANCE  
200310775



28	OL-1112BPE	14.0	.065	.15	C-2F	12,000
29	OL-1100BPE	18.0	.026	.15	C-2F	10,000
30	OL-3317BPE	18.0	.035	.15	C-2F	12,000
31	OL-3092S-BPE	24.0	.02	.05	CC-2F	5,000
32	OL-3092BPE	28.0	.02	.05	CC-2F	5,000
33	OL-6839BPE	28.0	.024	.15	CC-2F	5,000

Copyright © 2006 OSHINO LAMPS LIMITED All Rights Reserved.



Groupe OSHINO



SYNDICAT NATIONAL  
de l'ENSEIGNEMENT  
de la SIGNALÉTIQUE

## OSHINO LAMPS FRANCE

Téléport 4 - ZT Pyrène Aéro Pôle - 65290 JUILLAN  
Tél: +33 (0)5 62 32 63 63 / Fax: +33 (0)5 62 32 63 65  
Email: [info@oshino-lamps.fr](mailto:info@oshino-lamps.fr) / Site: [www.oshino-lamps.com](http://www.oshino-lamps.com)



FRANCE  
020040775



## Bi - PIN

### T-1 1/4 Bi-Pin (Type-E)

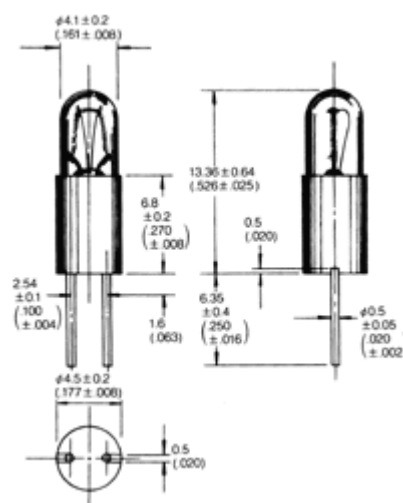
Line Nos.	Oshino Lamp Numbers	Design Volts	Design Amps	AVG. MSCd	Filament shape	Life (hours)
1	OL-585BPE	5.0	.06	.05	C-2R	100,000
2	OL-4004BPE	5.0	.075	.09	C-2R	40,000
3	OL-518BPE	5.0	.115	.15	C-2R	40,000
4	OL-4042BPE	6.0	.04	.04	C-2V	10,000
5	OL-4015BPE	6.0	.06	.13	C-2R	3,000
6	OL-628BPE	6.0	.20	.63	C-2R	500
7	OL-4032BPE	12.0	.04	.12	C-2F	10,000
8	OL-4030BPE	14.0	.08	.30	C-2F	15,000
9	OL-646BPE	14.0	.08	.50	C-2F	1,500
10	OL-4097BPE	16.0	.03	.034	C-2F	25,000
11	OL-4060BPE	24.0	.035	.13	C-2F	25,000
12	OL-4074BPE	28.0	.024	.15	C-2F	5,000
13	OL-4133BPE	28.0	.04	.20	C-2F	25,000
14	OL-4009BPE	28.0	.04	.30	C-2F	7,000
15	OL-632BPE	28.0	.04	.34	C-2F	4,000

Lamp Design Characteristics

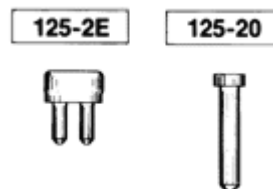
Maximum Diameter 4.7mm(.185")

Pin Spacing 2.54mm(.10")(inch)

Unit in mm  
(inch)



SOCKETS APPLICABLE



Copyright © 2006 OSHINO LAMPS LIMITED All Rights Reserved.



Groupe OSHINO



**OSHINO LAMPS FRANCE**  
 Téléport 4 - ZT Pyrène Aéro Pôle - 65290 JUILLAN  
 Tél: +33 (0)5 62 32 63 63 / Fax: +33 (0)5 62 32 63 65  
 Email: info@oshino-lamps.fr / Site: www.oshino-lamps.com



FRANCE  
200310775

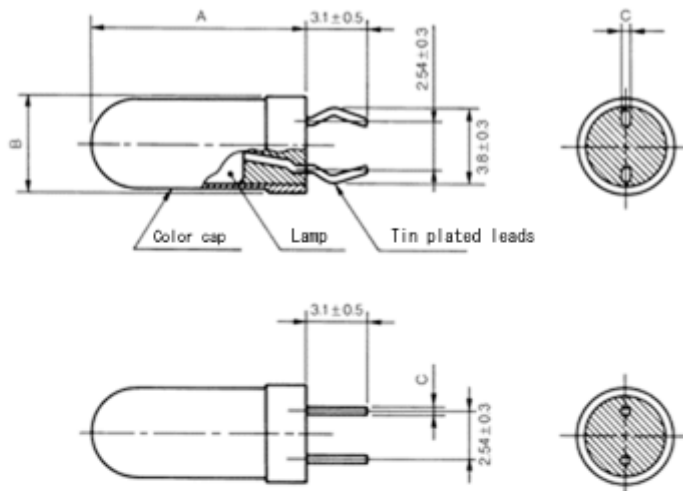
## Bi - PIN

### T-1 1/4 Cap Bi-Pin

P/N	Voltage	Current	Brightness		Filament Shape
	(V)		(MSCP)	(Lm)	
OL-583CBP	5.0	0.06	0.05	0.6	C-2R
OL-4125CBP	5.0	0.06	0.15	1.9	C-2R
OL-4003CBP	5.0	0.075	0.09	1.1	C-2R
OL-515CBP	5.0	0.115	0.15	1.9	C-2R
OL-2114CBP	6.0	0.06	0.13	1.7	C-2R
OL-634CBP	6.0	0.20	0.63	8.0	C-2R
OL-610CBP	6.3	0.20	0.55	7.0	C-2R
OL-4054CBP	12.0	0.06	0.15	1.9	C-2F
OL-640CBP	14.0	0.08	0.30	3.8	C-2F
OL-4029CBP	14.0	0.08	0.50	6.4	C-2F
OL-4185CBP	14.0	0.10	0.50	6.4	C-2F

Unit in mm  
(inch)

#### 1. Dimension • Appearance



#### 2. P/N

SIZE	A	B	C
T-1	8.5MAX	4.7MAX	φ0.3
T-11/4	10.7MAX	5.1MAX	φ0.4

Lead forming dimension listed above is our standard style.  
Custom-made specification is available upon request.

OL-XXXXCBP/XXX-XX



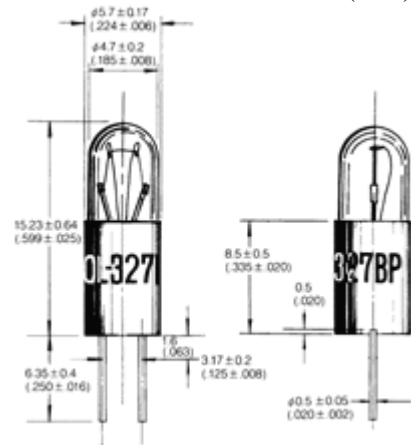
## Bi - PIN

### T-1 3/4 Bi-Pin

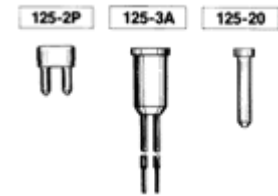
Line Nos.	Oshino Lamp Numbers	Design Volts	Design Amps	AVG. MSCd	Filament shape	Life (hours)
1	OL-368BP	2.5	.20	.20	C-2R	500
2	OL-268BP	2.5	.35	.21	C-2R	10,000
3	OL-338BP	2.7	.06	.04	C-2R	6,000
4	OL-6133BP	3.0	.04	.03	C-2R	10,000
5	OL-6049BP	4.5	.12	.045	C-2V	25,000
6	OL-6050BP	5.0	.015	.002	C-2V	25,000
7	OL-6030BP	5.0	.02	.02	C-2V	10,000
8	OL-6135BP	5.0	.03	.03	C-2R	16,000
9	OL-6063BP	5.0	.04	.025	C-2R	50,000
10	OL-782BP	5.0	.06	.03	C-2R	200,000
11	OL-783BP	5.0	.06	.05	C-2R	100,000
12	OL-6084BP	5.0	.06	.15	C-2R	5,000
13	OL-6233BP	5.0	.075	.09	C-2R	40,000
14	OL-815BP	5.0	.115	.15	C-2R	40,000
15	OL-428BP	5.0	.18	.35	C-2R	3,000
16	OL-345BP	6.0	.04	.04	C-2V	10,000
17	OL-6226BP	6.0	.06	.13	C-2R	3,000
18	OL-332BP	6.0	.20	.10	C-2F	50,000
19	OL-328BP	6.0	.20	.34@5V	C-2R	1,000
20	OL-380BP	6.3	.04	.03	C-2V	50,000
21	OL-377BP	6.3	.075	.23	C-2R	1,000
22	OL-350BP	6.3	.15	.45	C-2R	3,000
23	OL-381BP	6.3	.20	.40	C-2F	50,000
24	OL-349BP	6.3	.20	.55	C-2R	5,000
25	OL-344BP	10.0	.014	.004	C-2F	50,000
26	OL-367BP	10.0	.04	.08	C-2F	5,000
27	OL-394BP	12.0	.04	.12	C-2F	10,000
28	OL-6038BP	12.0	.06	.15	C-2F	16,000
29	OL-382BP	14.0	.08	.30	C-2F	50,000
30	OL-330BP	14.0	.08	.50	C-2F	1,500
31	OL-6006BP	14.0	.088	.50	C-2F	4,000
32	OL-8918BP	14.0	.10	.50	C-2F	10,000
33	OL-6003BP	15.0	.037	.075	C-2F	50,000
34	OL-370BP	18.0	.04	.15	C-2F	10,000
35	OL-459BP	22.0	.04	.30	C-2F	2,000
36	OL-6005BP	24.0	.05	.50	C-2F	1,000
37	OL-6034BP	28.0	.024	.15	C-2F	5,000
38	OL-385BP	28.0	.04	.20	C-2F	25,000
39	OL-387BP	28.0	.04	.30	C-2F	7,000
40	OL-327BP	28.0	.04	.34	C-2F	4,000

Lamp Design Characteristics

Unit in mm  
(inch)



SOCKETS APPLICABLE



Groupe OSHINO



OSHINO LAMPS FRANCE

Téléport 4 - ZT Pyrène Aéro Pôle - 65290 JULLIAN  
Tél: +33 (0)5 62 32 63 63 / Fax: +33 (0)5 62 32 63 65  
Email: info@oshino-lamps.fr / Site: www.oshino-lamps.com



FRANCE 200210775



41	OL-327LSV-BP	28.0	.06	.34	C-2F	25,000
42	OL-365BP	28.0	.06	.60	C-2F	5,000
43	OL-6235BP	32.0	.033	.34	C-2F	10,000

---

Copyright © 2006 OSHINO LAMPS LIMITED All Rights Reserved.



Groupe OSHINO



**OSHINO LAMPS FRANCE**  
Téléport 4 - ZT Pyrène Aéro Pôle - 65290 JULLIAN  
Tél: +33 (0)5 62 32 63 63 / Fax: +33 (0)5 62 32 63 65  
Email: [info@oshino-lamps.fr](mailto:info@oshino-lamps.fr) / Site: [www.oshino-lamps.com](http://www.oshino-lamps.com)



FRANCE  
200310775