



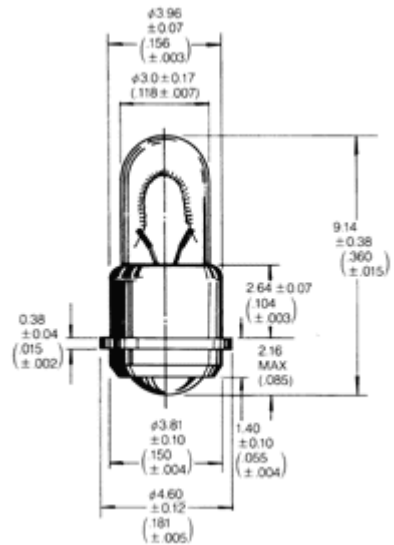
MF

T-1 Sub-Midget Flanged

Line Nos.	Oshino Lamp Numbers	Design Volts	Design Amps	AVG. MSCd	Filament shape	Life (hours)
1	OL-3414	2.25	.30	.45	C-2R	20
2	OL-3018	3.0	.008	.001	C-6	16,000
3	OL-679	3.0	.012	.0005	C-6	25,000
4	OL-3038	3.0	.04	.03	C-2R	10,000
5	OL-3008	3.0	.06	.03	C-2R	50,000
6	OL-3012	3.0	.12	.15	C-2R	3,000
7	OL-3002	5.0	.015	.002	C-2V	25,000
8	OL-3044	5.0	.02	.02	CC-6	20,000
9	OL-3020	5.0	.021	.034	C-2R	10,000
10	OL-3057	5.0	.03	.03	C-2R	16,000
11	OL-3007	5.0	.04	.025	C-2R	50,000
12	OL-682	5.0	.06	.03	C-2R	100,000
13	OL-682AS15	5.0	.06	.03	C-2R	100,000
14	OL-685	5.0	.06	.05	C-2R	100,000
15	OL-685AS15	5.0	.06	.05	C-2R	100,000
16	OL-3071	5.0	.06	.15	C-2R	5,000
17	OL-714	5.0	.075	.09	C-2R	40,000
18	OL-714AS15	5.0	.075	.09	C-2R	40,000
19	OL-718	5.0	.115	.15	C-2R	40,000
20	OL-718AS15	5.0	.115	.15	C-2R	40,000
21	OL-718F1	5.0	.125	.22	C-2R	5,000
22	OL-3094	6.0	.04	.04	C-2R	10,000
23	OL-3042	6.0	.06	.13	C-2R	3,000
24	OL-1098	10.0	.027	.09	C-2F	10,000
25	OL-3024	12.0	.03	.10	C-2F	10,000
26	OL-1099	12.0	.06	.15	C-2F	16,000
27	OL-3229	14.0	.04	.15	C-2F	16,000
28	OL-1112	14.0	.065	.15	C-2F	12,000
29	OL-1100	18.0	.026	.15	C-2F	10,000

Lamp Design Characteristics

Unit in mm
(inch)



Groupe OSHINO



OSHINO LAMPS FRANCE
 Téléport 4 - ZT Pyrène Aéro Pôle - 65290 JUILLAN
 Tél: +33 (0)5 62 32 63 63 / Fax: +33 (0)5 62 32 63 65
 Email: info@oshino-lamps.fr / Site: www.oshino-lamps.com



FRANCE
200310775



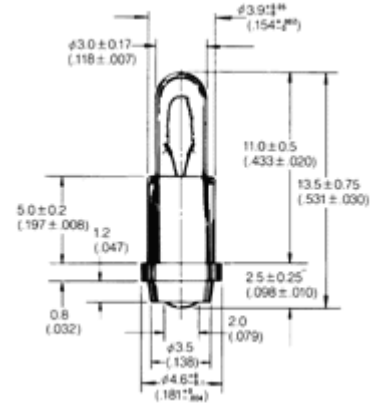
30	OL-3317	18.0	.035	.15	C-2F	12,000
31	OL-3092S	24.0	.02	.05	CC-2F	5,000
32	OL-3092	28.0	.02	.05	CC-2F	5,000
33	OL-6839	28.0	.024	.15	CC-2F	5,000

French Norm

Line Nos.	Oshino Lamp Numbers	Design Volts	Design Amps	AVG. MSCd	Filament shape	Life (hours)
34	OL-3104	5.0	.06	.05	C-2R	40,000
35	OL-3106	5.0	.115	.15	C-2R	20,000
36	OL-3109	12.0	.06	.15	C-2F	10,000
37	OL-3111	18.0	.026	.15	C-2F	3,000
38	OL-3112	28.0	.024	.15	CC-2F	5,000
39	OL-3115	28.0	.04	.30	CC-2F	1,000

Lamp Design Characteristics

Unit in mm
(inch)



Copyright © 2006 OSHINO LAMPS LIMITED All Rights Reserved.



Groupe OSHINO



OSHINO LAMPS FRANCE
 Téléport 4 - ZT Pyrène Aéro Pôle - 65290 JUILLAN
 Tél: +33 (0)5 62 32 63 63 / Fax: +33 (0)5 62 32 63 65
 Email: info@oshino-lamps.fr / Site: www.oshino-lamps.com



FRANCE
200310775